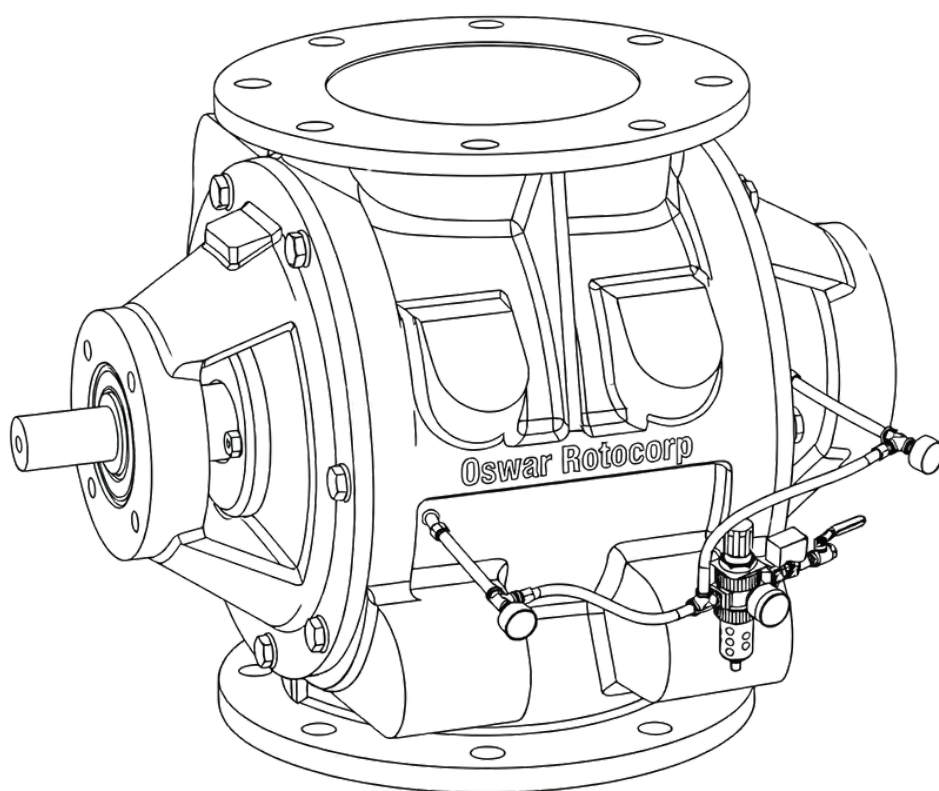



# GLASS INDUSTRY

## BATCH & FURNACE FEEDING SYSTEMS



**OSWAR**  
rotocorp



Glass manufacturing plants handle raw materials such as silica sand, soda ash, limestone, feldspar, and recycled cullet. These materials are often abrasive and must be precisely metered to ensure consistent batch composition and furnace efficiency.

Oswar Rotocorp provides engineered flow control solutions designed for batch house operations, pneumatic conveying systems, silo discharge, and furnace feeding lines. Our equipment ensures controlled material flow while maintaining airlock performance and process stability.

## KEY PROCESS AREAS

BATCH HOUSE  
MATERIAL  
DISCHARGE

RAW MATERIAL  
SILO FEEDING

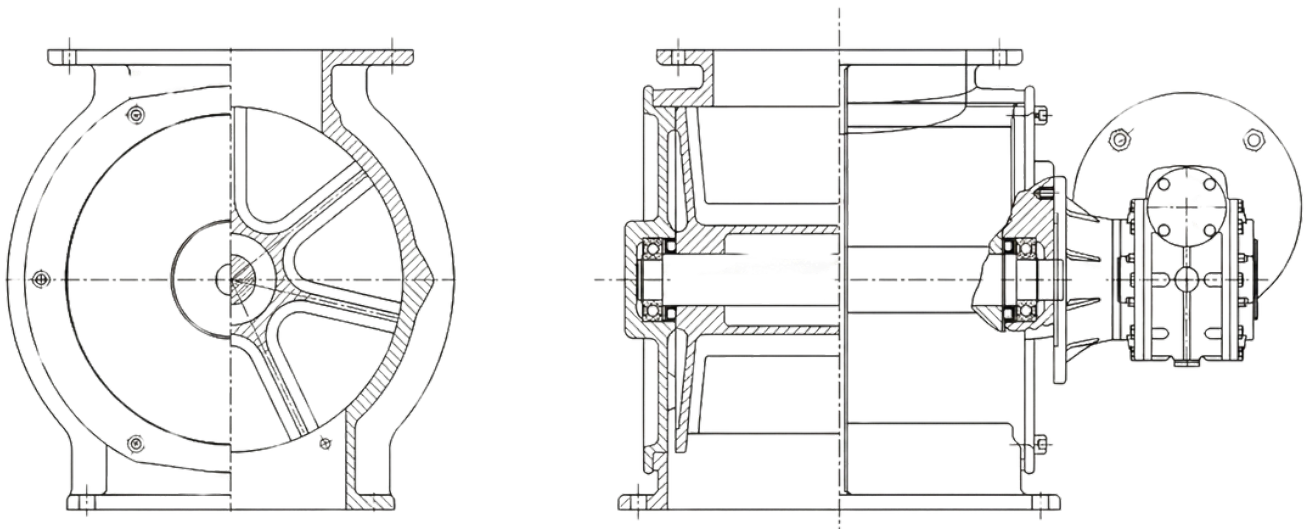
FURNACE  
CHARGING  
SYSTEMS

DUST & EMISSION  
CONTROL

# BUILT FOR DURABILITY & PROCESS CONSISTENCY

Glass manufacturing environments demand equipment capable of handling abrasive materials and operating reliably near high-temperature furnace zones. Consistent batch feeding is essential to maintain melting stability and glass quality.

Rotary Valves are engineered with heavy-duty construction and optimized rotor configurations to ensure uniform discharge and efficient airlock performance in conveying systems. Wear-resistant components enhance durability in abrasive material handling.



## SOLUTION PORTFOLIO INCLUDES:

- Heavy-Duty Rotary Valves for Batch Handling
- Pneumatic Conveying Rotary Valves
- High-Temperature Rotary Valves
- Slide Gate Valves for Silo Isolation
- Diverter Valves for Multi-Line Distribution

# SUPPORTING STABLE & ENERGY-EFFICIENT GLASS PRODUCTION

- **Controlled & Uniform Batch Feeding**
- **Improved Airlock Efficiency**
- **Enhanced Wear Resistance**
- **Stable Operation in Continuous Production**
- **Reduced Maintenance Frequency**
- **Extended Equipment Service Life**



# OSWAR

## rotocorp

### **Corporate Office**

Jaipur, Rajasthan India  
Nagpur, Maharashtra India

### **Sales Inquiries**

[info@oswarrotocorp.com](mailto:info@oswarrotocorp.com)

### **Helpline**

[+44 7917 128505](tel:+447917128505) | +91 77422 36474

**Copyright** © 2026 OSWAR ROTOCORP. All Rights Reserved. OSWAR® is a registered trademark of **OSWAR ROTOCORP**. This brochure makes no offers, representations or warranties (express or implied), and information and data contained in this brochure are for general reference only and may change at any time.